



# Accessories Technical Information



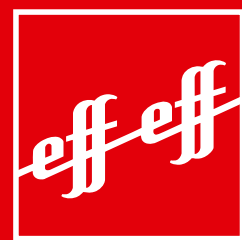
ASSA ABLOY

ASSA ABLOY, the global leader  
in door opening solutions



About us.

Whatever you want to secure,  
protect, maintain - we have the  
technology you require.



ASSA ABLOY



Arsenal Stadium, London

Breaking new grounds, implementing new technologies, developing new ideas. Founded in 1936, the company effeff based in Albstadt became the market leader in the field of door control systems by following a consistent strategy. After starting the electric strike production in 1947, a comprehensive product range has been gradually developed, which enables effeff to offer suitable solutions for every door.

February 1st, 2000, effeff joined the ASSA ALBOY Group based in Stockholm, Sweden and merged at the beginning of 2005 with IKON GmbH Präzisionstechnik, Berlin who also belong to the group to become ASSA ABLOY Sicherheitstechnik GmbH.



Court of Justice, Antwerpen

IKON and effeff, both renowned and well-established brands within the market remain under ASSA ABLOY Sicherheitstechnik GmbH as do the production sites of Berlin and Albstadt and a sales office in Ratingen.

ASSA ABLOY is the leading manufacturer and supplier of mechanical and electro-mechanical locks and related products worldwide. Our customers benefit from the extensive know-how of the largest international group of companies, meeting every requirement in terms of total security and comfort throughout the world.



Emirates Towers, Dubai



Airport Zurich

# We assist you with words and deeds

The experts at ASSA ABLOY Sicherheitstechnik would be pleased to advise you which electric strike model is most suitable for which installation position.

**Hotline** Technical advice

**+49 7431 123-381**

**Hotline** Sales/order processing

**+49 7431 123-143**

**Technical advice**

In the matter of technical advice, with us you will be supported by professionals who will continue to help you on every question on technical details. Of course you can also be put into contact with specialists for questions of detail in the matter of technical risk assessment or key accounts.

**Sales advice/order processing**

With our commercial customer services you can deal with all questions to do with your purchase order, for example the status of the order processing, the delivery date, purchase order changes, but also returns or guarantee issues. Use this simple and quick option to get information or help from our specialists. We will do that with pleasure.

**Trade fairs**

You will find effeff at many national and international trade fairs. You can obtain the exact dates from our website [www.assaabloy.de](http://www.assaabloy.de)

## Our product catalogue online at [www.effeff.com](http://www.effeff.com)

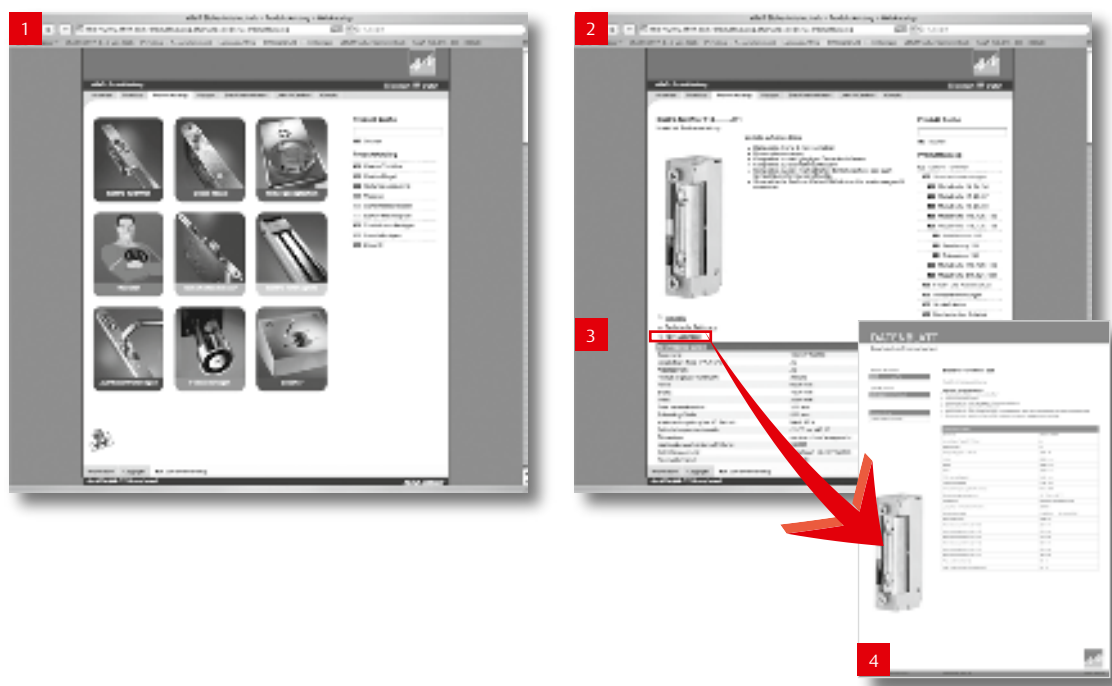
Fast and up-to-date comprehensive product information at any time

1 Clearly arranged layout according to our different product areas...

2 the submenu will help you navigate through our database...

3 to find the model you need.

4 By just clicking on the article, you can generate a detailed specification sheet.



# Table of Contents

<b>About us</b>	<b>2-3</b>
<b>Table of Contents</b>	<b>5</b>
Technical explanations: <b>Unrestricted public access despite locked door Model 750 / Model 7410-10</b>	<b>6-7</b>
<b>Controls/Relays</b>	<b>8</b>
<b>Remote control</b>	<b>9</b>
<b>Time switches/Switchover devices</b>	<b>10</b>
<b>Alarm transmitters</b>	<b>11</b>
<b>Light signals</b>	<b>12</b>
<b>Control buttons/Switches</b>	<b>13-16</b>
<b>Switching devices</b>	<b>17-18</b>
<b>Contact locks</b>	<b>19-21</b>
<b>Distributors</b>	<b>22</b>
<b>Energy transmitters</b>	<b>23</b>
<b>Power supplies</b>	<b>24-25</b>
<b>Rectifier/Testing transformer</b>	<b>26</b>
<b>Throw-open devices</b>	<b>27</b>
<b>Latch bolts</b>	<b>28</b>
<b>Bolt switching contacts</b>	<b>29-30</b>
<b>Magnetic contacts</b>	
All magnetic contact models at a glance	31
Reed contact model 10380U	32
Flat reed contact model 10362	32
Surface mounted reed contact model 10381U	32
Block reed contact model 10365	33
Surface mounted reed contact model 10385B	33
Round reed contact model 10370	33
Round reed contact model 10375	34
Mortise reed contact model 10360	34
Round reed contact model 030295	35
Flange reed contact model 10382U	35
Round reed contact model 10383U	36
Uni reed contact model 10368-10	36
Locking sensor model 10368-20	36
Magnetic contacts / Accessories	37
<b>Mechanical contacts</b>	<b>38-39</b>
<b>Cable Connectors</b>	
Cable connector model 10318	40
Introduction concealed cable transition	41
Cable connectors without installation housing	42
Concealed cable transitions	42-45
Cable connector / Accessories	46
<b>Order Form</b>	<b>47</b>

# Unrestricted public access despite locked door

## Automatic Door Control Model 750



### For premises such as doctor and lawyer practices

During visiting hours, the automatic control system operates electric strike release. When the system is engaged, the visitor rings the door bell and activates the automatic system in the electric strike control device. This releases the door for 1 to 10 seconds after the preset delay of between 1 to 20 seconds, enabling the visitor to enter. The door is then locked again as it closes. When the system is switched off, the electric strike is in normal mode.

The automatic electric strike control can be installed in all electric strike systems with effeff electric strikes (series 1 models).

### Please note:

The overall system requires a minimum operating voltage of 8 V.

To ensure the system functions reliably over longer cable paths and small cable cross-sections, we recommend using transformers with a 12 V output voltage.

Electric strike voltage rating and voltage feed (transformer voltage) must match.

Electric strike models with the following order specifications can be used:

### Series 1 models (fail-locked):

6-12 V	order specification D1
8-16 V	order specification R1
10-24 V	order specification A7
12 V	electric unlocking order specification E3

Do not use series 2 models (hold-open function)

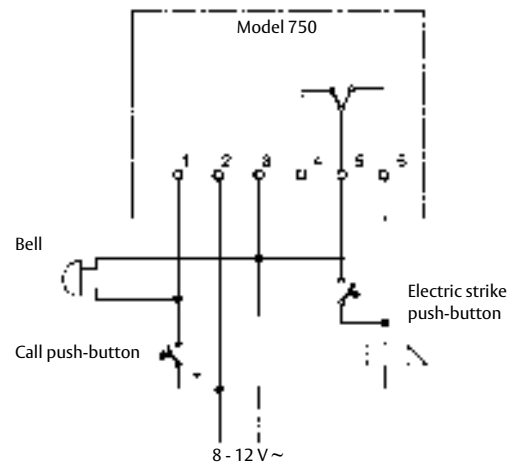
Do not use series 3 models (fail-unlocked)

### Installation:

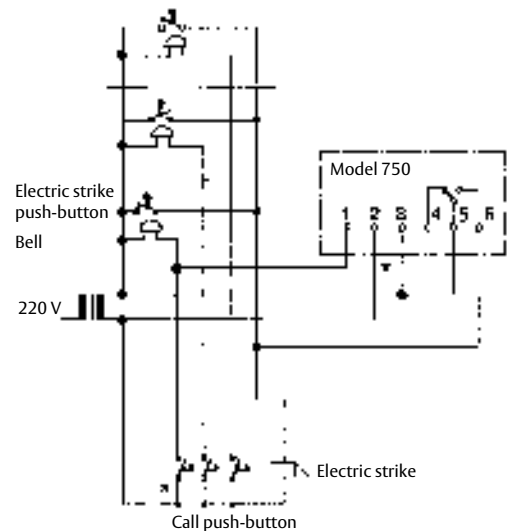
Surface-mount installation or fit onto standard rail (distributor installation)

Technical specifications and order code on page 8.

### Automatic electric strike control device



### Automatic electric strike control device with bell system



### Important!

Use same potential for call push-button wire and terminal 2

# Unrestricted public access despite locked door

## Switchover device model 7410-10



**For commercial buildings, offices, medical practices, schools and large apartment buildings**

The entrance door is permanently unlocked automatically at certain times during the day, enabling visitors to come and go as they wish. The system is controlled by a timer switch. The electric strike is permanently unlocked by a continuous current at the times set on the time switch (DC operation, electric strike makes no buzzing sound). Outside these set times, the electric strike operates as normal, i.e. electric strike released via the electric strike button in the apartment.

(AC operation, electric strike makes no buzzing sound)

**A complete system consists of the following individual components:**

Electric strike with electric unlocking (only series 1 models), switchover device, timer switch, transformer-rectifier device, electric strike push-button.

**Electric strike:**

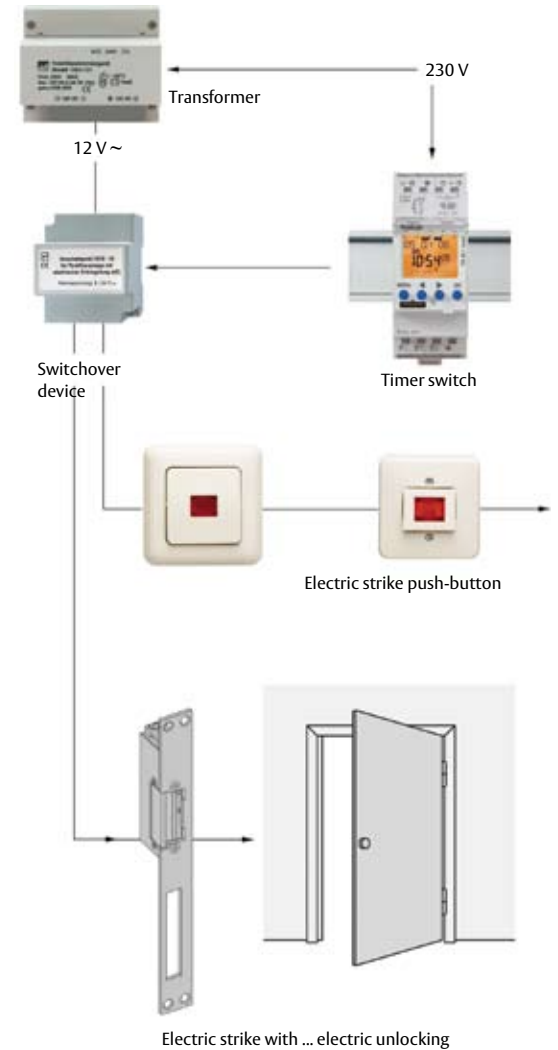
Always use a special electric strike model (series 1 models only, except model 17, 116), order with extra electric unlocking option (E3, F3), so the strike will be supplied with special spools for continuous energising.

**Installation:**

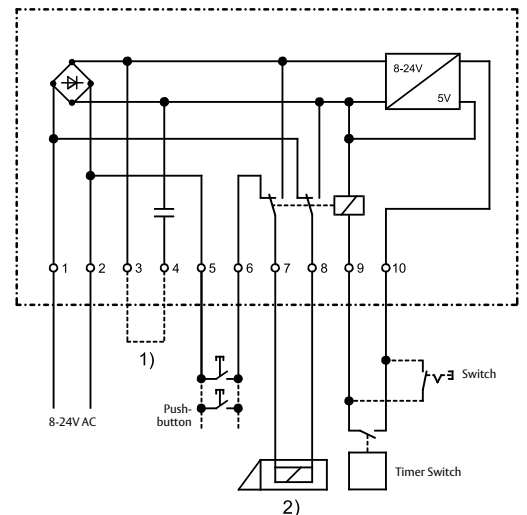
Plastic casing for surface-mount installation, or fit onto standard rail (distributor installation)

Technical specifications and order code on page 10.

**Diagram of Functions**



**Circuit diagram for electric strike system with automatic electric unlocking controlled via timer switch**



1) Warning: A bridge must be installed between terminals 3 and 4 for an 8V input voltage.  
 2) Electric strike (fail-locked) with electric unlocking (rated voltage according to connection voltage)  
 Contact rating for relay contacts: 1A

# Controls/Relays



## Automatic door strike control model 750

Automatic door strike control for unimpeded passage for the general public despite a locked door.

### Technical data

Mounting type	Surface-mounted/distributor installation
Adjustable waiting time	Approx. 1 to 20 sec
Adjustable strike release time	Approx. 1 to 10 sec
Height	98 mm
Width	88 mm
Depth	63 mm
Operating voltage	8 - 12 V AC

### Feature

Automatic door strike control	750-----00
-------------------------------	------------



## Time-delay relay model 770

A simple and very practical way to keep the door strike unlocked at set times.

### Technical data

Mounting type	Surface-mounted/distributor installation
Period	0,25-1023 sec.
Height	98 mm
Width	88 mm
Depth	63 mm
Max. contact rating	24 V / 1 A

### Feature

	Order no.
12 V AC/DC rated operating voltage	770-10-----E10
24 V AC/DC rated operating voltage	770-10-----F10



## Relay control model 7421

Relay control in plastic housing for surface and top hat rail mounting (distributor installation). It consists of two relays with two potential-free change-over contacts and recovery diodes each.

### Technical data

Mounting type	Surface-mounted/distributor installation
Switching voltage	230 V AC max.
Switching current	2 A max.

### Feature

	Order no.
12 V DC rated operating voltage	7421-12-----00
24 V DC rated operating voltage	7421-24-----00



# Remote control



## Remote control model RC 780

Radio set consisting of receiver and hand-held transmitter. The receiver has 2 potential-free relay outputs. To radio-control for your garden gate and house door.

Technical data	
Voltage supply	230 V / 50 Hz
Encoding potential	6561 freely adjustable
Max. power consumption	4 W
Class of protection	IP 54
Number of hand-held transmitters	1
Operating temperature range	-20 °C to +65 °C
Width	140 mm
Height	119 mm
Depth	68 mm

Feature	Order no.
Set with 1 hand-held transmitter	780-----00



## Transmitter modell 780-11

Additional transmitter for radio set RC 780.

Technical data	
Voltage supply	12 V DC (Battery)
Encoding potential	6561 freely adjustable
Number of performance control	2
Reach	ca. 50 m
Operating temperature range	0 °C to + 85 °C
Width	100 mm
Height	37 mm
Depth	19 mm

Feature	Order no.
1 piece transmitter	780-11-----00



## Alternative battery model 780

Alternative battery for radio set RC 780.

Technical data	
Version	AAA

Feature	Order no.
1 Piece	780-12-----00

# Time switches/Switchover devices



## Digital time switch model 2032

Time switches are a practical and highly flexible control device for the automatic locking and unlocking of doors. The internal clock permits the door release function to be automatically switched on and off, as the time switch controls the electric strike by means of a permanent contact. With microcomputer, combined day and week-based program, 56 free programmable locations.

Technical data	
Mounting type	Surface-mounted/distributor installation
Class of protection	IP 20
Width	35,8 mm
Height	90 mm
Depth	68,5 mm
Shortest switching interval	1 Min.
Power reserve	10 years
Memory locations	56 free programmable locations
Operating voltage	230 V AC
Potential-free changeover contact	Max. 16 A / 250 V AC

Feature	Order no.
Day and week schedule	2032-10-----00



## Digital full-year timer model 2035

Timer switches are a practical control device with a wide range of time settings for automatic locking and unlocking of doors. The timer system enables the door strike mode to be switched on and off automatically as the timer controls the door strike via a permanent contact. Scheduled to the day, week and month; automatic switch to and from daylight saving time.

Technical data	
Mounting type	Surface-mounted
Class of protection	IP 20
Width	105 mm
Height	86 mm
Depth	65,5 mm
Shortest switching interval	1 Min.
Power reserve	1,5 years
Memory locations	324 free programmable
Operating voltage	230 V AC
Potential-free changeover contact	Max. 16 A / 250 V AC

Feature	Order no.
With day, week and year schedule, automatic switch to and from daylight saving time	2035-10-----00



## Switchover device model 7410

For commercial buildings, offices, medical practices, schools and large apartment buildings. The entrance door is permanently unlocked automatically at certain times during the day. Visitors can come and go as they wish. The system is controlled by a separate timer switch.

Technical data	
Mounting type	Surface-mounted/distributor installation
Height	98 mm
Width	88 mm
Depth	63 mm
Rated operating voltage	8 - 24 V AC

Feature	Order no.
8 - 24 V AC supply voltage	7410-10-----00

# Alarm transmitters



## Flashing signal model 1055

Optical signal transmitter in plastic housing for mounting on the wall. Thanks to its high light efficiency, this flashing beacon is also easily visible in well lit rooms. It is also suitable for mounting in dry and moist rooms and outdoors. Protection class IP 54.

### Technical data

Operating temperature range	-20 °C to +50 °C
Class of protection	IP 54
Indicator	Makralon, transparent, red
Diameter	Ø 144 mm
Height	173 mm
Frequency of flashes	1 to 1.5 Hz

### Feature

Feature	Order no.
12 V DC operating voltage	1055-12-----00
24 V DC operating voltage	1055-24-----00



## Alarm transmitter

Multi-tone siren in plastic housing for indoor installation

### Technical data

Voltage supply	12 V / 90 mA - 24 V / 80 mA
Audio frequency	adjustable
Pulsating alarm signalling	adjustable
Class of protection	IP 33
Continuous duty	100 % ED
Colour	grey
Operating temperature range	-20 °C to +50 °C
Height	80 mm
Width	70 mm
Depth	78 mm
Rated operating voltage	12 - 24 V DC regulated DC

### Feature

Feature	Order no.
grey white	1200-10-----00

# Light signals



## Light signal model 1050 aP

Light signal for electric strikes with monitoring and other control functions, screw-in bulb.

Technical data	
Mounting type	Surface-mounted
Material	Plastic
Height	62 mm
Width	62 mm
Depth	50 mm

Feature	Order no.
Green, 12 V, 120 mA	1050G-AP----E10
Green, 24 V, 60 mA	1050G-AP----F10
Red, 12 V, 120 mA	1050R-AP----E10
Red, 24 V, 60 mA	1050R-AP----F10



## Light signal model 1050 R/G aP

Light signal for electric strikes with monitoring and other control functions, screw-in bulb.

Technical data	
Mounting type	Surface-mounted
Colour	red/green
Material	Plastic
Height	62 mm
Width	124 mm
Depth	50 mm

Feature	Order no.
12 V, 120 mA	1050R/G-AP--E10
24 V, 60 mA	1050R/G-AP--F10
12 V, 120 mA	1050R/G-UP--E10
24 V, 60 mA	1050R/G-UP--F10



## Light signal model 1050 uP

Light signal for electric strikes with monitoring and other control functions, screw-in bulb.

Technical data	
Mounting type	Flush-mounted
Material	Plastic
Height	80 mm
Width	80 mm
Depth	30 mm

Feature	Order no.
Green, 12 V, 120 mA	1050G-UP----E10
Green, 24 V, 60 mA	1050G-UP----F10
Red, 12 V, 120 mA	1050R-UP----E10
Red, 24 V, 60 mA	1050R-UP----F10



## Light signal model 1050 R/G uP

Light signal for electric strikes with monitoring and other control functions, screw-in bulb.

Technical data	
Mounting type	Flush-mounted
Colour	red/green
Material	Plastic
Height	81 mm
Width	152 mm
Depth	30 mm

Feature	Order no.
12 V, 120 mA	1050R/G-UP--E10
24 V, 60 mA	1050R/G-UP--F10

# Control buttons/Switches



**Door strike button model 1010**  
Surface-mounted push-button with key symbol.

Technical data	
Mounting type	Surface-mounted
Width	61 mm
Height	61 mm
Depth	22 mm
Colour	white
Contact type	Changeover contact

Feature	Order no.
White, with key symbol	1010-----00



**Door strike button model 1011**  
Flush-mounted push-button with key symbol.

Technical data	
Mounting type	Flush-mounted
Width	81 mm
Height	81 mm
Diameter	Ø 55 mm
Colour	white
Contact type	Changeover contact

Feature	Order no.
White, with key symbol	1011-----00

# Control buttons/Switches



**Control button model 1030**  
Switch unit for electric strikes with monitoring.  
Changeover contact including light.

Technical data	
Mounting type	Surface-mounted
Width	61 mm
Height	61 mm
Depth	42 mm

Feature	Order no.
12 V AC/DC operating voltage	1030-----E10
24 V AC/DC operating voltage	1030-----F10



**Control button model 1031**  
Switch unit for electric strikes with monitoring.  
Changeover contact including light.

Technical data	
Mounting type	Flush-mounted
Width	81 mm
Height	81 mm
Diameter	Ø 55 mm

Feature	Order no.
12 V AC/DC operating voltage	1031-----E10
24 V AC/DC operating voltage	1031-----F10



**Door strike switch model 3883-10**  
Changeover switch for flush-mounting with door  
open/closed symbol. To control fail-unlocked current  
and permanently energised door strikes.

Technical data	
Mounting type	Flush-mounted
Width	81 mm
Height	81 mm
Diameter	Ø 55 mm
Colour	white

Feature	Order no.
White, with door open/closed symbol	3883-10-----00

# Control buttons/Switches



## Interrupter button model 1312

Interrupter push-button with red switch surface. For controlling fail-unlocked locking devices such as holding magnets and fail-unlocked electric strikes. Changeover contact switch unit

Technical data	
Mounting type	Surface-mounted
Width	61 mm
Height	61 mm
Depth	22 mm
Colour	white

Feature	Order no.
white	1312-----00



## Interrupter button model 1313

Interrupter push-button with red switch surface. For controlling fail-unlocked locking devices such as holding magnets and fail-unlocked electric strikes. Changeover contact switch unit

Technical data	
Mounting type	Flush-mounted
Width	81 mm
Height	81 mm
Diameter	Ø 55 mm
Colour	white

Feature	Order no.
white	1313-----00



## Interrupter button model 1316

Interrupter push-button with red switch surface. For controlling fail-unlocked locking devices such as holding magnets and fail-unlocked electric strikes. Changeover contact switch unit

Technical data	
Width	61 mm
Height	61 mm
Depth	22 mm
Colour	white

Feature	Order no.
Surface-mounted	1316-----00



## Interrupter button model 1317

Interrupter push-button with red switch surface. For controlling fail-unlocked locking devices such as holding magnets and fail-unlocked electric strikes. Changeover contact switch unit

Technical data	
Width	81 mm
Height	81 mm
Diameter	Ø 55 mm
Colour	white

Feature	Order no.
Flush-mounted	1317-----00

# Control buttons/Switches



**Interrupter button model 1324 surface-mounted**  
Surface-mounted interrupter push-button with illuminated red switch surface under protective glass. Suitable for outdoor use.

Technical data	
Function	Push-button
Mounting type	Surface-mounted
Height	81 mm
Width	81 mm
Depth	55 mm

Feature	Order no.
12 V AC/DC operating voltage	1324-----E10
24 V AC/DC operating voltage	1324-----F10



**Interrupter button model 1325 surface-mounted**  
Surface-mounted interrupter push-button with illuminated red switch surface under protective glass.

Technical data	
Function	Push-button
Mounting type	Flush-mounted
Height	81 mm
Width	81 mm
Depth	22 mm

Feature	Order no.
12 V AC/DC operating voltage	1325-----E10
24 V AC/DC operating voltage	1325-----F10



**Interrupter switch model 1334 surface-mounted**  
Surface-mounted interrupter switch with illuminated red switch surface under protective glass. Suitable for outdoor use.

Technical data	
Function	Switch
Mounting type	Surface-mounted
Height	81 mm
Width	81 mm
Depth	55 mm

Feature	Order no.
12 V AC/DC operating voltage	1334-----E10
24 V AC/DC operating voltage	1334-----F10



**Interrupter switch model 1335 surface-mounted**  
Surface-mounted interrupter switch with illuminated red switch surface under protective glass.

Technical data	
Function	Switch
Mounting type	Flush-mounted
Width	81 mm
Height	81 mm
Depth	22 mm

Feature	Order no.
12 V AC/DC operating voltage	1335-----E10
24 V AC/DC operating voltage	1335-----F10



# Switching devices



## Universal switching device model 7200

The universal switch devices are suitable for performing different tasks. They can be used for electric door strikes in: fail-locked mode with electrical permanent unlocking; failed-unlocked mode with or without monitoring contact.

The integrated rectifier provides a connection to the DC or AC current.

Switch = Permanent unlocking with DC current, low-noise

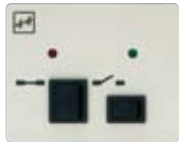
Push-button = Short release with AC current, buzzing sound

### Technical data

Mounting type	Desktop
Height	59 mm
Width	106 mm
Depth	100 mm
Colour	Grey RAL 9002
Switching current	max. 1 A

### Feature

8 - 24 V AC/DC operating voltage	7200-10---93-00
----------------------------------	-----------------



## Universal switching device model 7200

The universal switch devices are suitable for performing different tasks. They can be used for electric door strikes in: fail-locked mode with electrical permanent unlocking; failed-unlocked mode with or without monitoring contact.

The integrated rectifier provides a connection to the DC or AC current.

Switch = Permanent unlocking with DC current, low-noise

Push-button = Short release with AC current, buzzing sound

### Technical data

Mounting type	Flush-mounted
Front plate height	105 mm
Front plate width:	129 mm
Flush-mounted casing height	92 mm
Flush-mounted casing width	92 mm
Flush-mounted casing depth	41 mm
Switching current	max. 1 A

### Feature

8 - 24 V AC/DC operating voltage	7200-11---93-00
----------------------------------	-----------------



## Universal switching device model 7200

The universal switch devices are suitable for performing different tasks. They can be used for electric door strikes in: fail-locked mode with electrical permanent unlocking; failed-unlocked mode with or without monitoring contact.

The integrated rectifier provides a connection to the DC or AC current.

Switch = Permanent unlocking with DC current, low-noise

Push-button = Short release with AC current, buzzing sound

### Technical data

Mounting type	Surface-mounted
Height	100 mm
Width	106 mm
Depth	54 mm
Colour	Grey RAL 9002
Switching current	max. 1 A

### Feature

8 - 24 V AC/DC operating voltage	7200-12-----00
----------------------------------	----------------

### Note!

The operating voltage must match the electric strike voltage.

# Switching devices



## Security panel model 7200

Special design for 12/24 V DC door strike with locked signal. Model 1801 and 3801 as well as 12 V electric permanent unlocking or 24 V electric permanent unlocking security door strike with monitoring and armature contact, e. g.: 131.80, 131.81, 331.80 and 331.81 can be operated using this control panel. The „door secured“ display will only appear if the door is closed and the door strike is locked. An optional arrester magnet can be connected to hold the door.

### Technical data

Mounting type	Desktop
Height	59 mm
Width	106 mm
Depth	100 mm
Colour	Grey RAL 9002
Operating voltage	12/24 V AC

### Feature

12 / 24 V DC operating voltage	7200-20-----00
--------------------------------	----------------



## Security panel model 7200

Special design for 12/24 V DC door strike with locked signal. Model 1801 and 3801 as well as 12 V electric permanent unlocking or 24 V electric permanent unlocking security door strike with monitoring and armature contact, e. g.: 131.80, 131.81, 331.80 and 331.81 can be operated using this control panel. The „door secured“ display will only appear if the door is closed and the door strike is locked. An optional arrester magnet can be connected to hold the door.

### Technical data

Mounting type	Flush-mounted
Front plate height	105 mm
Front plate width:	129 mm
Flush-mounted casing height	92 mm
Flush-mounted casing width	92 mm
Flush-mounted casing depth	41 mm
Operating voltage	12/24 V AC

### Feature

12 / 24 V DC operating voltage	7200-21-----00
--------------------------------	----------------



## Security panel model 7200

Special design for 12/24 V DC door strike with locked signal. Model 1801 and 3801 as well as 12 V electric permanent unlocking or 24 V electric permanent unlocking security door strike with monitoring and armature contact, e. g.: 131.80, 131.81, 331.80 and 331.81 can be operated using this control panel. The „door secured“ display will only appear if the door is closed and the door strike is locked. An optional arrester magnet can be connected to hold the door.

### Technical data

Mounting type	Surface-mounted
Height	100 mm
Width	106 mm
Depth	54 mm
Colour	Grey RAL 9002
Operating voltage	12/24 V AC

### Feature

12 / 24 V DC operating voltage	7200-22-----00
--------------------------------	----------------



## Interlock control panel model 5518-50

The interlock control panel 5518-50 can control two doors which are fitted with fail-locked or fail-unlocked electric locking mechanisms such as electric door strikes, door deadbolts or similar devices with a monitoring contact. An individual door can only be unlocked if the second door is closed and locked. Both doors can be kept permanently unlocked via the integrated key switch.

### Technical data

Relay contact load capacity	max. 24 V / max. 2 A
Height	140 mm
Width	190 mm
Depth	60 mm
Rated operating voltage	12 V -24 V AC/DC

### Feature

For 2 doors	5518-50-----00
-------------	----------------

### Note!

The operating voltage must match the electric strike voltage.

# Contact locks



## Contact lock model 1140 surface-mounted

The compact surface-mounted model 1140-10 is equipped with a micro-switch which acts as a normal open. Normal closed contacts can also be ordered as an accessory and replaced very easily without the need for tools. (Normal closed contact model code: 1140-10-01)

### Technical data

Mounting type	Surface-mounted
Height	73,5 mm
Width	73,5 mm
Depth	45 mm
Class of protection	IP 54
Max. contact rating	2 A
Max. switching voltage	240 V

### Feature

Feature	Order no.
Surface-mounted	1140-10-----00
Exchange momentary n.c. contact block	1140-10-01---00
Replacement momentary n.o. contact block	1140-10-02---00



## Contact lock model 1140 uP

The inexpensive flush-mounted model 1140-11 is equipped with a micro-switch which acts as a normal open. Normal closed contacts can also be ordered as an accessory and replaced very easily without using tools. (Normal closed contact model code: 1140-10-01)

### Technical data

Mounting type	Flush-mounted
Height	100 mm
Width	90 mm
Depth	55,5 mm
Class of protection	IP 54
Max. contact rating	2 A
Max. switching voltage	240 V

### Feature

Feature	Order no.
Flush-mounted	1140-11-----00
Exchange momentary n.c. contact block	1140-10-01---00
Replacement momentary n.o. contact block	1140-10-02---00

# Contact locks



## Contact lock model 1142/1144 aP

The standard 1142-10 surface-mounted feature momentary switchover contacts on both sides whereas 1144-10 surface-mounted have snap-in changeover contacts as a permanent contact on both sides. Switch components have screw terminals and can be installed without the need for tools.

Technical data	
Mounting type	Surface-mounted
Height	75 mm
Width	75 mm
Depth	65 mm
Class of protection	IP 54
Max. contact rating	2 A
Max. switching voltage	24 V

Feature	Order no.
Momentary changeover contact	1142-10-----00
Momentary changeover contact + cover contact	1142-10-06---00
Snap-in changeover contact	1144-10-----00
Snap-in changeover contact + cover contact	1144-10-06---00



## Contact lock model 1142/1144 uP

The standard 1142-11 flush-mounted feature momentary switchover contacts on both sides whereas 1144-11 flush-mounted have snap-in changeover contacts as a permanent contact on both sides. Switch components have screw terminals and can be installed without the need for tools.

Technical data	
Mounting type	Flush-mounted
Height	125 mm
Width	100 mm
Depth	65 mm
Class of protection	IP 54
Max. contact rating	2 A
Max. switching voltage	24 V

Feature	Order no.
Momentary changeover contact	1142-11-----00
Momentary changeover contact + cover contact	1142-11-06---00
Snap-in changeover contact	1144-11-----00
Snap-in changeover contact + cover contact	1144-11-06---00

# Contact locks



## Contact lock model 1145 surface-mounted

The special models 1145-10 surface-mounted also feature a stop button (break contact) in addition to the momentary switchover contacts.

Technical data	
Mounting type	Surface-mounted
Height	130 mm
Width	70 mm
Depth	65 mm
Class of protection	IP 54
Max. contact rating	2 A
Max. switching voltage	24 V

Feature	Order no.
Surface mount, with stop button	1145-10-----00



## Contact lock model 1145 uP

The special models 1145-11 flush-mounted also feature a stop button (break contact) in addition to the momentary switchover contacts.

Technical data	
Mounting type	Flush-mounted
Height	170 mm
Width	100 mm
Depth	65 mm
Class of protection	IP 54
Max. contact rating	2 A
Max. switching voltage	24 V

Feature	Order no.
Flush mount, with stop button	1145-11-----00

# Distributors



### Screw-type distributor model 7458

7-pin distributor in plastic, flush-mounted version with screw terminals. Serves as a transfer point for flexible cabling in the door to the building wiring installation, or as a junction point where clearly arranged wiring branches out to several door systems.

Technical data	
Cover contact	Yes
Type of connection	Screw terminals
Height	55 mm
Width	55 mm
Colour	white

Feature	Order no.
7-pole	7458-21007---00



### Screw-type distributor model 7458

11-pin distributor in plastic, surface-mounted version with screw terminals. Serves as an interconnection point between flexible cabling in the door and the building wiring installation, or as a junction point where clearly arranged wiring branches out to several door systems.

Technical data	
Cover contact	Yes
Type of connection	Screw terminals
Height	25 mm
Width	50 mm
Length	100 mm
Colour	white

Feature	Order no.
11-pole	7458-20011---00



### Screw-type distributor model 7458

19-pin distributor in plastic, flush-mounted version with screw terminals. Serves as a transfer point for flexible cabling in the door to the building wiring installation, or as a junction point where clearly arranged wiring branches out to several door systems.

Technical data	
Cover contact	Yes
Type of connection	Screw terminals
Height	25 mm
Width	100 mm
Length	100 mm
Colour	white

Feature	Order no.
19-pole	7458-20019---00

# Energy transmitters



## Current transmitter 2-pin model 10305

Reliable power transmission from the door frame to the door leaf. Door contacts are mortise-fitted in the frame and in the door leaf. When the door is closed, the spring contacts touch and form an electrical circuit to the door strike.

Technical data	
Mounting type	Mortise fitting
Voltage supply	24 V
Continuous duty	max. 10 sec / 40 sec
Type of connection	Screw terminals
Height	71 mm
Width	13 mm
Contact pin material	brass, nickel-coated
Current intensity	1,5 A

Feature	Order no.
2-pin	10305-----00
2-pin, with mounting plates	10305LA-----00



## Current transmitter 3-pin model 10306

Reliable power transmission from the door frame to the door leaf. Door contacts are mortise-fitted in the frame and in the door leaf. When the door is closed, the spring contacts touch and form an electrical circuit to the door strike.

Technical data	
Mounting type	Mortise fitting
Voltage supply	24 V
On-time / off-time	max. 10 sec / 40 sec
Type of connection	Screw terminals
Height	71 mm
Width	13 mm
Contact pin material	brass, nickel-coated
Current intensity	1,5 A

Feature	Order no.
3-pin	10306-----00
3-pin, with mounting plates	10306LA-----00



## Follower contact model 10259 4-pin

A follower contact is particularly suitable for special requirements where wiring is required between fixed and movable parts. The conical contacts allow smooth movement both vertically and horizontally in equal measure with complete contact reliability.

Technical data	
Mounting type	Mortise fitting
Voltage supply	24 V AC/DC
Continuous duty	100% ED
Type of connection	Screw terminals
Height	86 mm
Width	20 mm
Depth	22 mm
Contact pin material	hard gold-plated
Current intensity	0,5 A

Feature	Order no.
4-pin	10259-----00
4-pin, with mounting plates	10259LA-----00



## Follower contact model 10262 4-pin

A follower contact is particularly suitable for special requirements where wiring is required between fixed and movable parts. The conical contacts allow smooth movement both vertically and horizontally in equal measure with complete contact reliability.

Technical data	
Mounting type	Surface mounting
Voltage supply	24 V AC/DC
Continuous duty	100% ED
Type of connection	Screw terminals
Height	75,5 mm
Width	19 mm
Depth	15 mm
Contact pin material	hard gold-plated
Current intensity	0,5 A

Feature	Order no.
4-pin	10262-----00

# Power supplies



## Rectifier unit model 1001

The power supply have an AC-output as well as a DC-output (DC 50% residual ripple). Therefore it offers an optimal basis for the voltage supply of electric strikes.

Technical data	
Rated current	1 A max. 1,5 A for 10s
Mounting type	Surface-mounted / top hat rail
Overload protection	thermal circuit breaker
Length	106 mm
Width	70 mm
Height	73 mm
Rated operating voltage primary	230 V AC

Feature	Order no.
Rated secondary voltage 12 V AC/DC	1001-12-1----00
Rated secondary voltage 24 V AC/DC	1001-24-1----00



## Power unit model 1002

The stabilised power supply unit is suitable for installation in access control, escape security routes and door opener systems where noise emission via locking element is not desired. The rated voltage is at all products primary 230 V AC. All devices are constructed according to VDE 0551 and correspond to protection class IP 20.

Technical data	
Mounting type	Surface-mounted
Rated current	0,5 A
Overload protection	Prim./sec. microfuse
Length	152 mm
Width	79 mm
Height	45 mm
Class of protection	IP 20
Rated operating voltage primary	230 V AC
Rated operating voltage secondary	12 V DC, stabilised

Feature	Order no.
12 V DC, stabilised	1002-12-0,5--00



## Power supply device model 1003 12 V

There is a suitable power supply unit for each type of use. The individual power supply units stand out due to their constant output voltage during fluctuations in mains voltage and load alternation.

Technical data	
Mounting type	Surface-mounted / top hat rail
Overload protection	Electronic
Operating temperature range	-5 °C to +40 °C
Class of protection	IP 00
Protection rating	II/Insulation protection
Housing	Plastic
Casing colour	RAL 7035
Rated operating voltage	100-240 V AC
Output voltage	12 V DC (regulated)

Feature	Order no.
0,8 A, (H/W/L) 68/92/17,5 mm	1003-12-0,8----00
1,25 A, (H/W/L) 68,5/93/35 mm	1003-12-1,25-00
2 A, (H/W/L) 68,5/93/52,5 mm	1003-12-2----00
4 A, (H/W/L) 66,5/93/140 mm	1003-12-4----00



# Power supplies



## Power supply device model 1003 24 V

There is a suitable power supply unit for each type of use. The individual power supply units stand out due to their constant output voltage during fluctuations in mains voltage and load alternation.

### Technical data

Mounting type	Surface-mounted / top hat rail
Overload protection	Electronic
Operating temperature range	-5 °C to +40 °C
Class of protection	IP 00
Protection rating	II/Insulation protection
Housing	Plastic
Casing colour	RAL 7035
Rated operating voltage	100-240 V AC
Output voltage	24 V DC (regulated)

### Feature

Feature	Order no.
0,4 A, (H/W/L) 68/92/17,5 mm	1003-24-0,4--00
1 A, (H/W/L) 68,5/93/52,5 mm	1003-24-1---00
2 A, (H/W/L) 66,5/93/105 mm	1003-24-2---00
4 A, (H/W/L) 66,5/93/140 mm	1003-24-4---00



## Emergency power supply model 1006

Compact emergency power supply with fully electronic, stabilised power supply unit ready for parallel operation, surface mount fitting in stabilised steel sheet housing including rechargeable battery/batteries. Model 18003 2.6Ah is available as a spare storage battery.

### Technical data

Mounting type	Surface-mounted
Voltage supply	12 V DC
Max. power consumption	62 VA
Power input own requirement	3,3 VA
Operating temperature range	0 - 40 °C
Max. continuous current	2 A DC
Transformer	VDE 0551
Class of protection	IP 20
Height	186 mm
Width	300 mm
Depth	125 mm
Casing colour	RAL 9002
Operating voltage range	230 V AC/ ± 10%

### Feature

Feature	Order no.
12 V DC	1006-12020---00
24 V DC	1006-24020---00



## Alternative accumulator model 1800...

Alternative accumulator in different versions.

### Technical data

Output voltage	12 V DC
----------------	---------

### Feature

Feature	Order no.
2 Ah	018002-----00
2,6 Ah	18003-----00
6,5 Ah	18004-----00

# Rectifier/Testing transformer



## Bridge rectifier model 1005-10

For operation with electric strikes with alternating voltage, where no buzzing tone is wanted at permanent locking (eE, 100 % ED).

Technical data	
Length	14 mm
Width	14 mm
Height	11,5 mm
Length of connection slots	150 mm
Rated operating voltage	6 - 24 V AC
Current max. 100% duty cycle	0,5 A
Current max. 10 secs	1,4 A

Feature	Order no.
Bridge rectifier	1005-10-----00



## Testing transformer model 1000

For testing electric strikes and mini door code units, drop bolts and motorized bolt control systems. Output can be switched over for direct and alternating voltage. Including 2 test cables with terminals.

Technical data	
Operating voltage	230 V / 50 Hz
Output voltage	8 - 12 - 24 V AC/DC

Feature	Order no.
Testing set	1000-10-----00

# Throw-open devices



## Throw-open spring model 1020

For strikes with standard function (1-types). After contacting, the door is pushed ajar.

Technical data	
Actuation force	10 N +/- 15 %
Actuation distance	4 mm
Height	162 mm
Width	10 mm

Feature	Order no.
Throw-open spring	1020-----00



## Press-open bolt model 1021

For strikes with standard function (1-types). After contacting, the door is pushed ajar.

Technical data	
Actuation force	25 N +/- 15 %
Diameter	12 mm
Actuation distance	8 mm
Height	25 mm
Width	12 mm

Feature	Order no.
Throw-open bolt	1021-----00



## Press-open bolt model 1022

For electric strikes with normal operation (1 - types). The door is opened slightly after contact is made.

Technical data	
Actuation force	45 N +/- 15 %
Actuation distance	6 mm
Height	28,5 mm

Feature	Order no.
Throw-open bolt	1022-----00



## Press-open bolt model 1023

For electric strikes with normal operation (1 - types). The door is opened slightly after contact is made.

Technical data	
Actuation force	70 N +/- 15 %
Actuation distance	10 mm
Height	55 mm
Width	20 mm
Depth	30 mm

Feature	Order no.
Throw-open bolt	1023-----00

# Latch bolts



## Mortise latch model 802

Small, easily mounted version. Is used for example as an additional locking mechanism in combination with fail unlocked electric strikes.

Technical data	
Height	55 mm
Width	20 mm
Depth	30 mm

Feature	Order no.
Mortise latch	802-----00



## Latch bolt model 804

Matching part for surface-mounted door strikes. Suitable for special structures. Is used as additional locking device with fail-unlocked door strike.

Technical data	
Height	20 mm
Width	34 mm
Depth	44 mm

Feature	Order no.
Mortise latch bolt lock	804-----00



## Mating component model 807 squared

The mortise latch lock of the 807 series have been tested and approved as suitable for the electrical locking of doors in rescue routes according to valid regulations. The latch bolt is adjustable from 12 mm to 17 mm (projection). This means that it can be adapted to the door gap on site thus ensuring actuation of the monitoring contact.

Technical data	
Fixing holes	2
Depth	13 mm
Version	Adjustable

Feature	Order no.
Faceplate 110 x 24 mm	807-10-----00
Faceplate 135 x 20 mm	807-11-----00



## Mating component model 807 radius

The mortise latch lock of the 807 series have been tested and approved as suitable for the electrical locking of doors in rescue routes according to valid regulations. The latch bolt is adjustable from 12 mm to 17 mm (projection). This means that it can be adapted to the door gap on site thus ensuring actuation of the monitoring contact.

Technical data	
Fixing holes	2
Depth	13 mm
Version	Adjustable

Feature	Order no.
Faceplate 110 x 24 mm	807-12-----00
Faceplate 110 x 20 mm	807-13-----00

# Bolt switching contacts



## Bolt switching contact model 878

Bolt switch contacts are suitable for monitoring door locking. Due to the switching lever mounted in rotary bearings, there is no limit to the penetration of the dead bolt. The narrow design and the supplied mounting screw permit the bolt switch contact to be mounted in existing steel frames without striking plate through the bolt cut-out. This facility permits retrofitting also in already installed frames.

Technical data	
Switching contact	Change-over contact
Bolt throw	Unlimited
Class of protection	IP 54
Response path	3 mm
Connecting cable	4 m
Switching current	1,5 A
Max. switching voltage	25 V AC/DC

Feature	Order no.
Change-over contact, 3 wires	878-----00



## Dead bolt switch contact model 031309.06/031308

Bolt switch contact with adjustable switching point. Easy installation in existing steel door frames through the deadbolt aperture using the supplied fitting tool and drilling template. Model 031308 is suitable for inside rooms only due to its soldered joint (IP 00).

Technical data	
Switching contact	Change-over contact
Bolt throw	Unlimited
VdS class	Class C
Class of protection	IP 67
Switching point	adjustable
Min. contact rating	1,50 V DC / 0,10 mA
Max. contact rating	30 V DC / 100 mA

Feature	Order no.
VdS G100023, 6 m connecting cable	031309.06---00
VdS G100024, with solder contact	031308-----00



## Bolt switching contact model 875-10

Due to the closed form of the housing, the back of the dead bolt cutout is closed again, particularly in the case of steel frames and profiles. The inside of the profile is not visible. The bolt switch contact is first mounted on the striking plate, then the striking plate is mounted on the frame.

Technical data	
Switching contact	Change-over contact
Class of protection	IP 54
Response path	4 mm
Dead bolt penetration	15 mm
Connecting cable	4 m
Switching current	1,5 A
Max. switching voltage	25 V AC/DC

Feature	Order no.
Without striking plate	875-10-----00



## Dead bolt switch contact model 875-10 KL

Due to the closed form of the housing, the back of the dead bolt cutout is closed again, particularly in the case of steel frames and profiles. The inside of the profile is not visible. The bolt switch contact is first mounted on the striking plate, then the striking plate is mounted on the frame.

Technical data	
Switching contact	Change-over contact
Dead bolt penetration	18 mm
Class of protection	IP 54
Response path	4 mm
Connecting cable	4 m
Colour	galvanized
Version	DIN Universal
Version striking plate	short flat striking plate
Length	122,5 mm
Width	25 mm
Thickness	3 mm
Switching current max.	1,5 A
Max. switching voltage	25 V AC/DC

Feature	Order no.
With short flat striking plate	875-10-12240-01

# Bolt switching contacts



## Bolt switching contact model 875-10

Due to the closed form of the housing, the back of the dead bolt cutout is closed again, particularly in the case of steel frames and profiles. The inside of the profile is not visible. The bolt switch contact is first mounted on the striking plate, then the striking plate is mounted on the frame.

Technical data	
Switching contact	Change-over contact
Dead bolt penetration	18 mm
Class of protection	IP 54
Response path	4 mm
Connecting cable	4 m
Colour	galvanized
Version striking plate	Flat
Length	200 mm
Width	24 mm
Thickness	3 mm
Switching current max.	1,5 A
Max. switching voltage	25 V AC/DC

Feature	Order no.
DIN Left	875-10-29440-04
DIN right	875-10-29440-05



## Dead bolt switch contact model 875-10 iW

Due to the closed form of the housing, the back of the dead bolt cutout is closed again, particularly in the case of steel frames and profiles. The inside of the profile is not visible. The bolt switch contact is first mounted on the striking plate, then the striking plate is mounted on the frame.

Technical data	
Switching contact	Change-over contact
Dead bolt penetration	17 mm
Class of protection	IP 54
Response path	4 mm
Connecting cable	4 m
Colour	stainless steel
Version striking plate	Angled striking plate
Length	200 mm
Width	25 mm
Depth	32 mm
Switching current max.	1,5 A
Max. switching voltage	25 V AC/DC

Feature	Order no.
DIN Left	875-10-29535-04
DIN right	875-10-29535-05

# Magnetic contacts

## All magnetic contact models at a glance

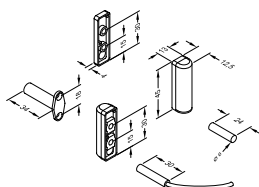
Areas of use	VdS class	Contact type	Sensing distance	Order code	Further info on page:	
All-purpose for mortise and surface fitting	–	Changeover contact	up to 15 mm *	10380U-6----00	32	
	Class A	N.O.	up to 15 mm *	10380A-6----00	*	
	Class B	NO contact / bridging protection	up to 15 mm *	10380B-6----00	*	
Surface fitting	–	N.O.	up to 10 mm *	10362-6-----00	32	
	Class A	N.O.	up to 10 mm *	030001.16---00	*	
	Class B	NO contact / bridging protection	up to 10 mm *	030201.16---00	*	
	Class C	NO contact / external magnet monitoring bridging protection	up to 10 mm *	030260.16----00	*	
	–	Changeover contact	up to 15 mm *	10381U-6----00	32	
	Class A	N.O.	up to 15 mm *	10381A-6----00	*	
	Class B	NO contact / bridging protection	up to 15 mm *	10381B-6----00	*	
	–	N.O.	up to 20 mm *	10365-6-----00	33	
	Class A	N.O.	up to 20 mm *	030002.16---00	*	
	Class B	NO contact / bridging protection	up to 20 mm *	030202.16---00	*	
	Class B	NO contact / bridging protection	up to 25 mm *	10385B-----00	33	
	Class C	NO contact / external magnet monitoring bridging protection	up to 25 mm *	10385C-----00	*	
	Mortise fitting	–	N.O.	up to 5 mm *	10370-6-----00	33
		Class A	N.O.	up to 5 mm *	030010.16---00	*
		Class B	NO contact / bridging protection	up to 5 mm *	030210.16---00	*
–		N.O.	up to 5 mm *	10375-6-----00	34	
Class A		N.O.	up to 5 mm *	082001.16---00	*	
Class B		NO contact / bridging protection	up to 5 mm *	030211.16---00	*	
–		N.O.	up to 10 mm *	10360-6-----00	34	
Class A		N.O.	up to 10 mm *	030000.16---00	*	
Class B		NO contact / bridging protection	up to 10 mm *	030200.16---00	*	
Class C		NO contact / external magnet monitoring bridging protection	up to 10 mm *	030270.16---00	*	
Class C		NO contact / external magnet monitoring bridging protection	up to 10 mm *	030295-----00	35	
–		Changeover contact	up to 15 mm *	10382U-6----00	35	
Class A		N.O.	up to 15 mm *	10382A-6----00	*	
Class B		NO contact / bridging protection	up to 15 mm *	10382B-6----00	*	
–		Changeover contact	up to 15 mm *	10383U-6----00	36	
Class A		N.O.	up to 15 mm *	10383A-6----00	*	
Class B		NO contact / bridging protection	up to 15 mm *	10383B-6----00	*	
Window lock monitoring		Class B	NO contact / bridging protection	up to max. 10 mm* side offset max. 3 mm	10368-10----00	36
	Class B/C	NO contact / bridging protection	up to max. 10 mm* side offset max. 3 mm	10368-20----00	36	

\* Further information you will find in our web catalogue [www.effeff.com](http://www.effeff.com)

# Magnetic contacts

## Reed contact model 10380U

The set consists of a round reed contact, permanent magnet, 2 flange housing, 2 surface-mounted housing and 2 spacers; it is thus suitable for surface-mounted and mortise fitting in wood or aluminium windows and doors.



### Technical data

Max. contact rating	175 V DC/ 500 mA/ 10 W
Max. sensing distance	15 mm
Class of protection	IP 67
Connecting cable	6 m
Number of wires	4-wire
Colour	grey white
Material housing	Plastic
Operating temperature range	0 to +40 °C
Contact resistance	0,15 Ω

### Feature

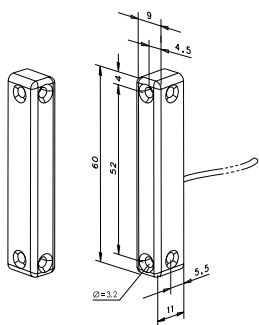
Change-over contact

### Order no.

10380U-6-----00

## Flat reed contact model 10362

Suitable for surface mounting in aluminium or wood doors and windows.



### Technical data

Min. contact rating	1,50 V DC/ 1,50 mA
Max. contact rating	30 V DC/ 100 mA
Max. sensing distance	10 mm
Class of protection	IP 67
Length	60 mm
Width	9 mm
Height	11 mm
Connecting cable	6 m
Number of wires	2-wire
Colour	White (similar to RAL 9010)
Material housing	Plastic

### Feature

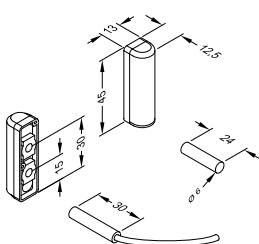
Closer

### Order no.

10362-6-----00

## Surface-mounted reed contact model 10381U

Suitable for surface fitting on doors and windows. Works reliably on doors and windows where a large sensing distance is required.



### Technical data

Max. contact rating	175 V DC/ 500 mA/ 10 W
Max. sensing distance	15 mm
Class of protection	IP 67
Length	45 mm
Width	13 mm
Height	12,5 mm
Connecting cable	6 m
Number of wires	4-wire
Colour	grey white
Material housing	Plastic
Operating temperature range	0 to +40 °C
Contact resistance	0,15 Ω

### Feature

Change-over contact

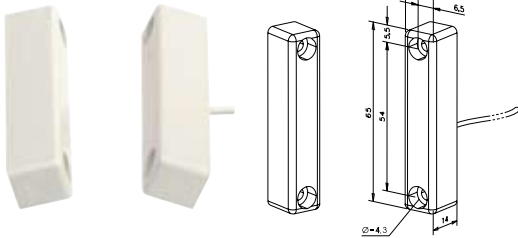
### Order no.

10381U-6-----00



# Magnetic contacts

## Block reed contact model 10365



Suitable for surface fitting on doors and windows. Works reliably on doors and windows where a large sensing distance is required.

### Technical data

Min. contact rating	1,5 V DC / 1,5 mA
Max. contact rating	30 V DC / 100 mA
Max. sensing distance	20 mm
Class of protection	IP 67
Length	65 mm
Width	13 mm
Height	14 mm
Connecting cable	6 m
Colour	White (similar to RAL 9010)
Material housing	Plastic

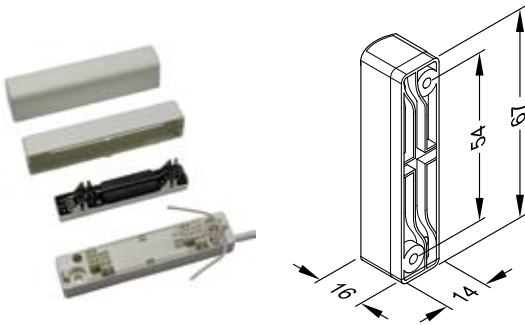
### Feature

Closer

### Order no.

10365-6-----00

## Surface-mounted reed contact model 10385B



Suitable for surface mounting on doors and windows. All contacts are arranged in such a way that they can be connected in series without a distributor.

### Technical data

Switching voltage	42 V AC/DC
Max. switching current NCC	250 mA
Max. switching current NCO	500 mA
Max. sensing distance	25 mm
Class of protection	IP 54
Length	67 mm
Width	14 mm
Height	16 mm
Type of connection	Insulation-displacement
Details of connection	4 mm x 0,14 mm <sup>2</sup> flexible - 7 mm x 0,16 mm <sup>2</sup>
Colour	grey white
Material housing	Plastic
Operating temperature range	0 to +40 °C
Contact resistance	0,15 Ω

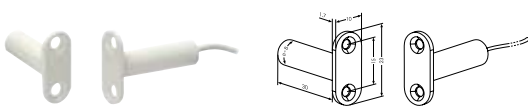
### Feature

NOC / bridging protection

### Order no.

10385B-----00

## Round reed contact with flange model 10370



Suitable for flush fitting in aluminum-wood doors and windows.

### Technical data

Min. contact rating	1,5 V DC / 1,5 mA
Max. contact rating	30 V DC / 100 mA
Max. sensing distance	5 mm
Class of protection	IP 67
Length flange	23 mm
Width flange	10 mm
Diameter	8 mm
Case depth	31,7 mm
Height flange	1,7 mm
Connecting cable	6 m
Number of wires	2-wire
Colour	White (similar to RAL 9010)
Material housing	Plastic

### Feature

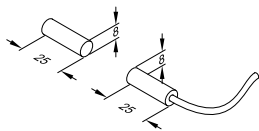
Closer

### Order no.

10370-6-----00

# Magnetic contacts

## Round reed contact model 10375



Suitable for mortise fitting in aluminium or wood doors and windows.

### Technical data

Min. contact rating	1,5 V DC / 1,5 mA
Max. contact rating	30 V DC / 100 mA
Max. sensing distance	10 mm
Class of protection	IP 67
Length contact	25 mm
Length magnet	25 mm
Diameter	8 mm
Connecting cable	6 m
Number of wires	2-wire
Colour	White (similar to RAL 9010)
Material housing	Plastic

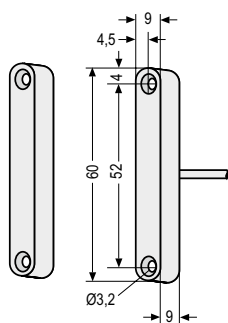
### Feature

Closer

### Order no.

10375-6-----00

## Mortise reed contact model 10360



Suitable for flush mounting in aluminium or wood doors and windows in conjunction with installation housing.

### Technical data

Min. contact rating	1,5 V DC / 1,5 mA
Max. contact rating	30 V DC / 100 mA
Max. sensing distance	10 mm
Length	60 mm
Width	9 mm
Height	9 mm
Connecting cable	6 m
Number of wires	2-wire
Colour	White (similar to RAL 9010)
Material housing	Plastic

### Feature

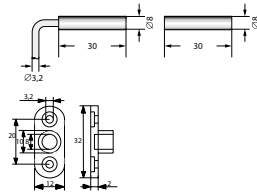
Closer

### Order no.

10360-6-----00

# Magnetic contacts

## Round reed contact model 030295 VdS class C



Round reed contact with flange, suitable for flush fitting in aluminium-wood doors and windows.

### Technical data

Max. contact rating	40 V DC/ 500 mA/ 10 W
Max. sensing distance	10 mm
VdS class	Class C
VdS-approval	G103003
Class of protection	IP 67
Length	30 mm
Diameter	8 mm
Side offset	2 mm
Connecting cable	6 m
Number of wires	4-wire
Colour	white
Material housing	Plastic
Operating temperature range	-25 °C to +70 °C

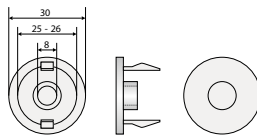
### Feature

NOC / external magnet monitoring / bridging protection

### Order no.

030295-----00

## Steel installation set 030296



Assembly component for installing round reed contact 030295 in a ferromagnetic material such as steel. The set consists of a mounting flange each for the round magnets and for the magnets. The magnet is already glued inside the housing.

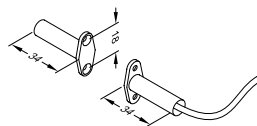
### Feature

Steel installation set

### Order no.

030296-----00

## Flange reed contact model 10382U



Suitable for mortise fitting on/in aluminium or wood doors and windows

### Technical data

Max. contact rating	175 V DC/ 500 mA/ 10 W
Max. sensing distance	15 mm
Class of protection	IP 67
Length flange	26 mm
High flange	2 mm
Width flange	12 mm
Diameter	9,3 mm
Case depth	34 mm
Connecting cable	6 m
Number of wires	4-wire
Colour	grey white
Material housing	Plastic
Operating temperature range	0 to +40 °C
Contact resistance	0,15 Ω

### Feature

Change-over contact

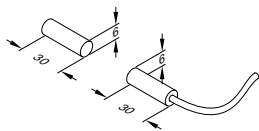
### Order no.

10382U-6-----00

# Magnetic contacts

## Round reed contact model 10383U

Suitable for mortise fitting in aluminium or wood doors and windows.



### Technical data

Max. contact rating	200 V DC/ 500 mA/ 10 W
Max. sensing distance	15 mm
Class of protection	IP 67
Length contact	30 mm
Length magnet	30 mm
Diameter	6 mm
Connecting cable	6 m
Number of wires	4-wire
Colour	grey white
Material housing	Plastic
Operating temperature range	0 to +40 °C
Contact resistance	0,15 Ω

### Feature

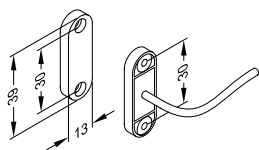
Change-over contact

### Order no.

10383U-6-----00

## Uni reed contact model 10368-10 VdS class B

Reed contact and magnet unit for monitoring when door or window is opened, with fitting concealed in the door or window rebate.



### Technical data

Switching voltage	30 V DC
VdS class	Class B
VdS-approval	G105524
Class of protection	IP 67
Max. sensing distance	max. 10 mm
Side offset	3 mm
Connecting cable	6 m
Number of wires	4-wire
Colour	White (similar to RAL 9010)
Operating temperature range	-25 °C to +60 °C
Switching current max.	100 mA

### Feature

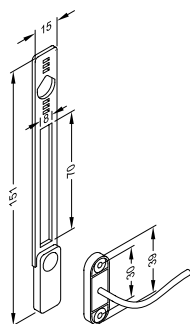
NOC / bridging protection

### Order no.

10368-10-----00

## Locking sensor model 10368-20 VdS class B/C

Reed contact and magnet unit for monitoring when window is locked with fitting concealed in the door or window rebate.



### Technical data

Switching voltage	30 V DC
VdS class (opening monitor)	Class B
VdS-approval	G105524
VdS class (locking monitor)	Class C
VdS-approval	G105097
Class of protection	IP 67
Max. sensing distance	max. 10 mm
Side offset	3 mm
Connecting cable	6 m
Number of wires	4-wire
Colour	White (similar to RAL 9010)
Material housing	Plastic
Operating temperature range	-25 °C to +60 °C
Switching current max.	100 mA

### Feature

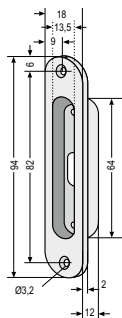
NOC / bridging protection

### Order no.

10368-20-----00

# Magnetic contacts/ Accessories

## Mounting kit 10361

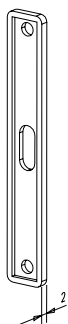


Compatible with mortise reed contacts in the 10360 series; suitable for mortise fitting and height correction with aluminium profiles.

Technical data	
Length	94 mm
Width	18 mm
Height	12 mm

Feature	Order no.
Mounting kit for models 10360, 030000.16 and 030200.16 (1 piece)	10361-----00

## Surface mounting socket kit 10363

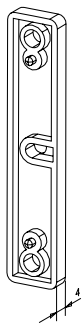


Suitable as a fitting tool for height correction. The set consists of 12 pieces of different heights.

Technical data	
Height	2 mm

Feature	Order no.
1 set = 12 pieces	10363-----00

## Mounting kit 10366

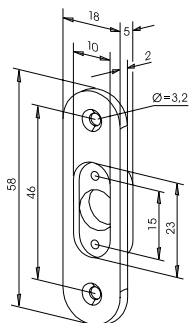


Suitable as a fitting tool for height correction.

Technical data	
Height	4 mm

Feature	Order no.
mounting kit	10366-----00

## Mounting aid 10371



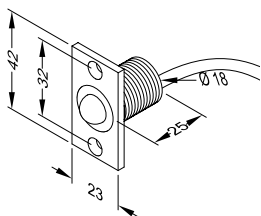
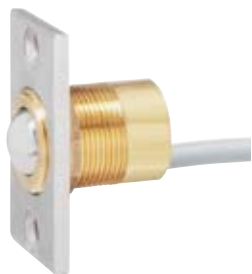
Suitable as a fitting tool for height correction in hollow profiles.

Technical data	
Length	58 mm
Width	18 mm
Height	5 mm

Feature	Order no.
Mounting aid	10371-----00

# Mechanical contacts

## Ball contact model 10405.10



It is characterized particularly by its hardwearing design with steel ball and screw thread for flexible setting to a wide range of different door geometries with cable.

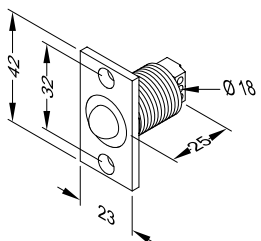
### Technical data

Max. contact rating	25 V / 1 A
Class of protection	IP 40
Response path	1 mm
Adjustment path	13 mm
Diameter	18 mm
Type of connection	Connection lead
Connecting cable	4 m
Number of wires	3 wire
Life span	1 M switching cycles
Contact type	Change-over contact

### Feature

Feature	Order no.
Square faceplate	10405.10-----00
Radius faceplate	10405.10R----00

## Ball contact model 10405.11



It is characterized particularly by its hardwearing design with steel ball and screw thread for flexible setting to a wide range of different door geometries with screw terminals.

### Technical data

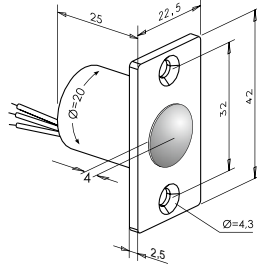
Max. contact rating	25 V / 1 A
Class of protection	IP 40
Response path	1 mm
Adjustment path	13 mm
Diameter	18 mm
Type of connection	Screw terminals
Life span	1 M switching cycles
Contact type	Change-over contact

### Feature

Feature	Order no.
Square faceplate	10405.11-----00
Radius faceplate	10405.11R----00

# Mechanical contacts

## Conical contact model 10400



Electromechanical contacts such as conical, pin and micro contacts are microswitches operated by a click switch movement (changeover contact). This ensures complete contact reliability.

### Technical data

Max. contact rating	25 V / 2 A
Response path	2 mm
Length of connection slots	100 mm
Operation	Operated by direct or sideward pressure
Switching current	2 A

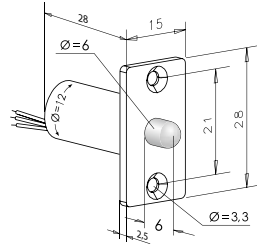
### Feature

Change-over contact

### Order no.

10400-----00

## Pin contact model 10415



Electromechanical contacts such as conical, pin and micro contacts are microswitches operated by a click switch movement (changeover contact). This ensures complete contact reliability.

### Technical data

Max. contact rating	25 V / 2 A
Response path	2 mm
Length of connection slots	100 mm
Operation	By pressing
Switching current	2 A

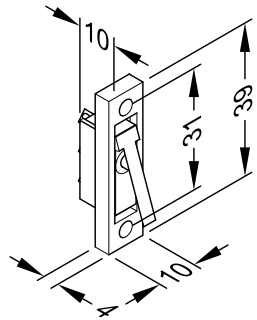
### Feature

Change-over contact

### Order no.

10415-----00

## Micro contact model 10420



Electromechanical contacts such as ball, pin and microcontacts are microswitches operated by a click switch movement (changeover contact). The contact is used as a cover contact, for instance.

### Technical data

Max. contact rating	30 V DC / 100 mA
Response path	2 mm
Height	39 mm
Width	10 mm
Depth	10 mm

### Feature

Change-over contact

### Order no.

10420-----00

# Cable connectors



For direct transmission of current from the door frame to the door leaf. Rustproof, flexible metal hose. Fixing caps for mounting on door frame and door leaf.

## Technical data

Version	For open fitting
Material	Brass, nickel-coated
Inside diameter	7 mm

## Feature

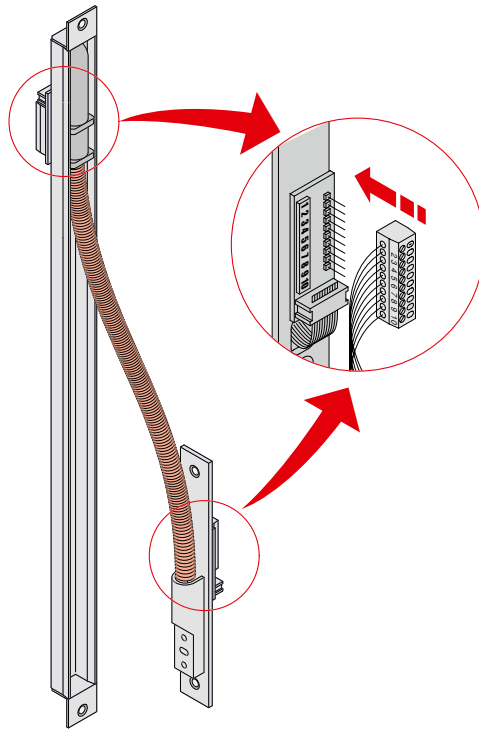
Feature	Order no.
Length 18 cm	10318-----00
Length 30 cm	10318-30----00
Length 40 cm	10318-40----00
Length 60 cm	10318-60----00
Length 80 cm	10318-80----00



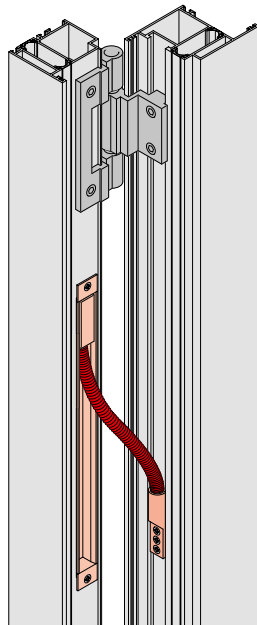
# Introduction

## Concealed cable transitions

Innovative clamp-plug connection technology



Cable transition, example of installation



### Beneficial for everyone - plug-in cable transitions

Besides its established models, the effeff brand is focusing on a new technology with clamp-plug connections and an integrated, break-proof flex cable. This technology proved its resistance to heavy loads when we put it through an endurance test of 1,000,000 load cycles.

#### Everyone benefits from this new technology:

##### Door manufacturers

- Door and frames can be manufactured and supplied separately.
- A check can be carried out in the factory beforehand to ensure electric components on this interface work correctly.

##### Fitter on site

- Door leaves and frames can be installed separately, so fitters don't require electric engineering expertise.
- The clamp-plug connection on the frame side can be directly connected to the building's wiring without using a junction box.

##### Servicing / Maintenance

- As this component is exposed to heavy use due to movement, a special high-grade cable in the cable transition ensures it has a long service life
- Wear due to friction in the cable transition is eliminated
- Door leaves and frames can easily be repaired separately with no electric engineering skills required
- Interface with wiring in building contains straightforward connection for maintenance and diagnosis devices, enabling the source of defects to be detected easily and quickly eliminated

# Cable connectors

## Concealed cable transitions



### Cable transition 10312-11

Suitable for aluminium and synthetic profiles without installation housing.

Technical data	
Chamber dimension	> 16 mm
Material spiral hose	stainless steel
Max. cable diameter	7 mm (without protective sleeve 9 mm)
Max. permissible horizontal rotation	100 mm
Length	288 mm
Width	16 mm
Depth	15,5 mm

Feature	Order no.
Short model	10312-11-----00



### Cable transition 10312-21

Suitable for aluminium and synthetic profiles without installation housing.

Technical data	
Chamber dimension	> 16 mm
Material spiral hose	stainless steel
Max. cable diameter	7 mm (without protective sleeve 9 mm)
Max. permissible horizontal rotation	200 mm
Length	443 mm
Width	16 mm
Depth	15,5 mm

Feature	Order no.
Long version	10312-21-----00



### Concealed cable transition model 10312-10

Suitable for feeding cables with installation housing on one side for wood, metal and synthetic profiles.

Technical data	
Installation dish	Onesided
Material housing	stainless steel
Material spiral hose	stainless steel
Max. cable diameter	7 mm
Max. permissible horizontal rotation	100 mm
Length	330 mm
Width	25 mm
Depth	17 mm

Feature	Order no.
Short model	10312-10-----00



### Concealed cable transition model 10312-20

For feeding cable with integrated cable tracking and installation housing on one side. Integration system for wooden, metal and plastic profiles.

Technical data	
Installation dish	Onesided
Material housing	stainless steel
Material spiral hose	stainless steel
Max. cable diameter	7 mm
Max. permissible horizontal rotation	200 mm
Length	519 mm
Width	24 mm
Depth	49,5 mm

Feature	Order no.
Long version	10312-20-----00

# Cable connectors

## Concealed cable transitions



### Concealed cable transition model 10312-10-10

For feeding cable with installation housing on both sides. Installation system for minimal room dimensions and unobstructed movement. This system is particularly suitable for door systems with reduced spacing for hinges and inside hinges. The advantage of this fitting type is being able to position the door flush with the frame (0 mm reveal when door is closed). Minimal gaps for door rotation, as with inside hinges, for instance, do not result in the door jamming.

Technical data	
Installation dish	Two-sided
Material housing	stainless steel
Material spiral hose	stainless steel
Max. cable diameter	7 mm (without protective sleeve 9 mm)
Max. permissible horizontal rotation	100 mm
Height	330 mm
Width	25 mm
Depth	17 mm

Feature	Order no.
Short model	10312-10-10-00



### Concealed cable transition model 10312-20-20

For feeding cable with integrated cable tracking and installation housing on both sides. Installation system for minimal room dimensions and unobstructed movement. This system is particularly suitable for door systems with reduced spacing for hinges and inside hinges. The advantage of this fitting type is being able to position the door flush with the frame (0 mm reveal when door is closed). Minimal gaps for door rotation, as with inside hinges, for instance, do not result in the door jamming.

Technical data	
Installation dish	Two-sided
Material housing	stainless steel
Material spiral hose	stainless steel
Max. cable diameter	7 mm (without protective sleeve 9 mm)
Max. permissible horizontal rotation	200 mm
Length	480 mm
Width	24 mm
Depth	49,5 mm

Feature	Order no.
Long version	10312-20-20-00



### Concealed cable transition model 10314-11

With integrated break-proof flex cable and clamp-plug connection technology suitable for aluminium and plastic profiles.

Technical data	
Chamber dimension	> 16 mm
Material spiral hose	stainless steel
Signal transmission	10-pole
Max. permissible horizontal rotation	100 mm
Width	24 mm
Depth	18,5 mm
Rated operating voltage	24 V
Operating voltage tolerance range	+ 20%
Max. current consumption	1 A 100% ED, 4 A max. 1 sec. 10% ED
Contact resistance per signal	0,21 Ohm

Feature	Order no.
Short model	10314-11-----00

# Cable connectors

## Concealed cable transitions



### Concealed cable transition model 10314-21

With integrated break-proof flex cable and clamp-plug connection technology suitable for aluminium and plastic profiles.

Technical data	
Chamber dimension	> 16 mm
Material spiral hose	stainless steel
Signal transmission	10-pole
Max. permissible horizontal rotation	200 mm
Width	24 mm
Depth	18,5 mm
Rated operating voltage	24 V
Operating voltage tolerance range	+ 20%
Max. current consumption	1 A 100% ED, 4 A max. 1 sec. 10% ED
Contact resistance per signal	0,35 Ohm

Feature	Order no.
Long version	10314-21-----00



### Concealed cable transition model 10314-10

With integrated break-proof flex cable, clamp-plug connection technology and installation housing on one side suitable for wood, metal and plastic profiles.

Technical data	
Installation dish	Onesided
Material housing	stainless steel
Material spiral hose	stainless steel
Signal transmission	10-pole
Max. permissible horizontal rotation	100 mm
Length	297 mm
Width	25 mm
Depth	17 mm
Rated operating voltage	24 V
Operating voltage tolerance range	+ 20%
Max. current consumption	1 A 100% ED, 4 A max. 1 sec. 10% ED
Contact resistance per signal	0,21 Ohm

Feature	Order no.
Short model	10314-10-----00



### Concealed cable transition model 10314-20

With integrated break-proof flex cable, clamp-plug connection technology and installation housing on one side suitable for wood, metal and plastic profiles.

Technical data	
Installation dish	Onesided
Material housing	stainless steel
Material spiral hose	stainless steel
Signal transmission	10-pole
Max. permissible horizontal rotation	200 mm
Length	519 mm
Width	24 mm
Depth	17,5 mm
Rated operating voltage	24 V
Operating voltage tolerance range	+ 20%
Max. current consumption	1 A 100% ED, 4 A max. 1 sec. 10% ED
Contact resistance per signal	0,35 Ohm

Feature	Order no.
Plug-in terminal; concealed; long; integration system for wooden, metal and plastic profiles	10314-20-----00

# Cable connectors

## Concealed cable transitions



### Concealed cable transition model 10314-10-10

With integrated break-proof flex cable, clamp-plug connection technology and installation housing on both sides. Installation system for minimal room dimensions and unobstructed movement. This system is particularly suitable for door systems with reduced spacing for hinges and inside hinges. The advantage of this fitting type is being able to position the door flush with the frame (0 mm reveal when door is closed). Minimal gaps for door rotation, as with inside hinges, for instance, do not result in the door jamming.

Technical data	
Installation dish	Two-sided
Material housing	stainless steel
Material spiral hose	stainless steel
Signal transmission	10-pole
Max. permissible horizontal rotation	100 mm
Length	330 mm
Width	25 mm
Depth	17 mm
Operating voltage range	24 V
Operating voltage tolerance range	+ 20%
Max. current consumption	1 A 100% ED, 4 A max. 1 sec. 10% ED
Contact resistance per signal	0,21 Ohm

Feature	Order no.
Short model	10314-10-10-00



### Concealed cable transition model 10314-20-20

With integrated break-proof flex cable, clamp-plug connection technology and installation housing on both sides. Installation system for minimal room dimensions and unobstructed movement. This system is particularly suitable for door systems with reduced spacing for hinges and inside hinges. The advantage of this fitting type is being able to position the door flush with the frame (0 mm reveal when door is closed). Minimal gaps for door rotation, as with inside hinges, for instance, do not result in the door jamming.

Technical data	
Installation dish	Two-sided
Material housing	stainless steel
Material spiral hose	stainless steel
Signal transmission	10-pole
Max. permissible horizontal rotation	200 mm
Length	519 mm
Width	24 mm
Depth	17,5 mm
Rated operating voltage	24 V
Operating voltage tolerance range	+ 20%
Max. current consumption	1 A 100% ED, 4 A max. 1 sec. 10% ED
Contact resistance per signal	0,35 Ohm

Feature	Order no.
Long version	10314-20-20-00

# Cable connectors / Accessories



## Mounting set for wooden doors 10313

This saves time when installing the protected cable transition model 10312 in wood structures. It consists of two radius end pieces and 5 stainless steel screws to fasten the installation casing and the plate on the opposite side. When using the 10313 installation set, only a cutout is required, with no finishing work. There is no longer the need to chisel out to fit the installation casing and the square fastening plate.

### Technical data

Depth	18 mm
-------	-------

### Feature

Feature	Order no.
For short models; width 25 mm	10313-----00
For long models; width 24 mm	10313-24----00



## Mounting set for wooden doors 10313

This set consists of two radius pieces including mounting screws for the cable transition assembly plates.

### Technical data

Height	48 mm
Width	24 mm
Thickness	6 mm

### Feature

Feature	Order no.
For radius end pieces	Z09-ADL53----00



ASSA ABLOY is the global leader in door opening solutions, dedicated to satisfying end-user needs for security, safety and convenience.



Originally part of the ZEISS IKON AG company founded in 1926, **IKON** is ASSA ABLOY's most successful brand for locking and security technology in Germany. The IKON brand offers state-of-the-art products and solutions at the cutting edge of technology. The brand product range includes high-quality mechanical and mechatronic locking cylinders, auxiliary locks and security devices, door fittings and door closers. They provide active burglary protection and safeguard both people and property.



Founded as a precision engineering and electrical engineering workshop in 1936, **effeff** is a global leading brand for electromechanical locking and unlocking devices. Electric strikes, electric bolts, security locks, access control systems and escape route technology are among the effeff brand products which today provide security and convenience in over 75 countries throughout the world.

**ASSA ABLOY Sicherheitstechnik GmbH** is the professional partner worldwide in mechanical and electromechanical security solutions for safety, security and convenience in buildings. The company develops, produces and markets high-quality products and multi-purpose systems under the established IKON and effeff brand names for the private, commercial and public sectors.

**ASSA ABLOY** is the world's leading manufacturer and supplier of door opening solutions, meeting tough enduser demands for safety, security and convenience. With over 32,000 employees, the Group achieves sales of over EUR 3.5 billion.

ASSA ABLOY  
Sicherheitstechnik GmbH  
Bildstockstraße 20  
72458 Albstadt  
GERMANY  
albstadt@assaabloy.de  
Tel. +497431 123-700  
Fax +497431 123-258  
www.assaabloy.de